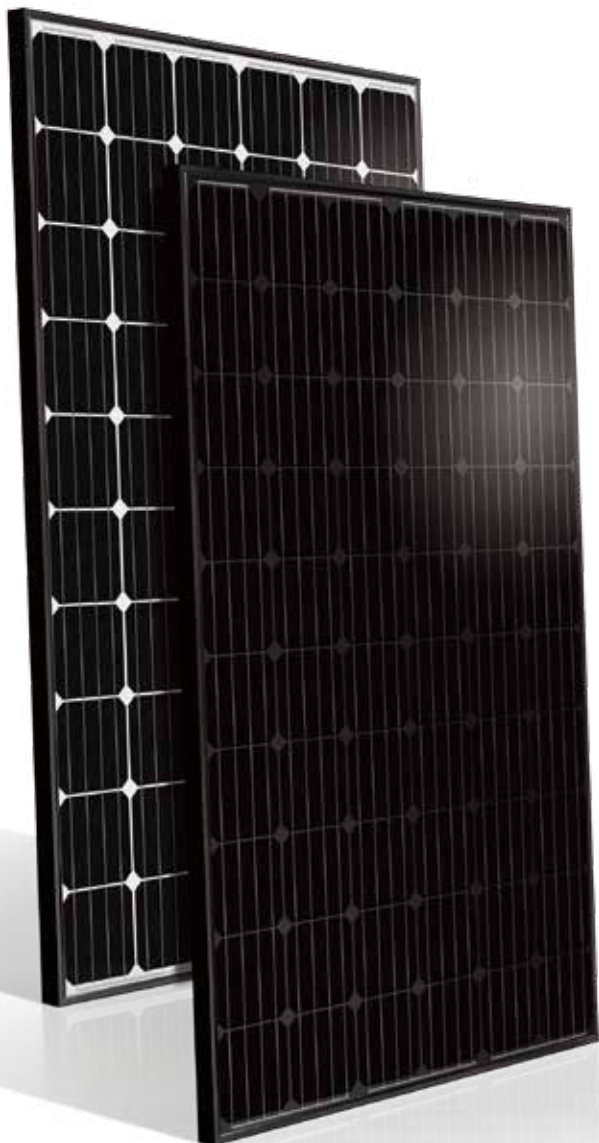


## SunVivo

# PM060MW2 / PM060MB2

Mono-Crystalline Photovoltaic Module



Power Range  
290 ~ 310 Wp



Highly Strengthened Design  
Module complies with advanced loading tests to meet 5400 Pa loading requirements



PID-Resistance (up to Diamond Level)  
Certified high PID resistance



Superior Weak Light Performance  
Improved absorption of long wavelength light



Flammability Test  
Low ignitability ensuring fire safety



Resistance to Salt Corrosion and Humidity  
Module complies with IEC 61701: Salt Mist Corrosion Testing



Ammonia Test  
Reliable in ammonia rich environment



# SunVivo PM060MW2 / PM060MB2 (290 ~ 310 Wp)

## Electrical Data

Typ. Nominal Power $P_N$	290W	295W	300W	305W	310W
Typ. Module Efficiency	17.8%	18.1%	18.4%	18.7%	19.1%
Typ. Nominal Voltage $V_{mp}$ (V)	32.3	32.6	32.7	32.9	33.1
Typ. Nominal Current $I_{mp}$ (A)	8.99	9.05	9.18	9.28	9.38
Typ. Open Circuit Voltage $V_{oc}$ (V)	39.7	39.8	39.9	40.2	40.5
Typ. Short Circuit Current $I_{sc}$ (A)	9.57	9.63	9.80	9.91	10.02
Maximum Tolerance of $P_N$	0 / +3%				

• Above data are the effective measurement at Standard Test Conditions (STC)  
 • STC: irradiance 1000 W/m<sup>2</sup>, spectral distribution AM 1.5, temperature 25 ± 2 °C, in accordance with EN 60904-3  
 • Black back sheet (PM060MB2) is utilized for 290W & 300W; white back sheet (PM060MW2) is for 295W - 310W

## Temperature Coefficient

NOCT	46 ± 2 °C
Typ. Temperature Coefficient of $P_N$	-0.42% / K
Typ. Temperature Coefficient of $V_{oc}$	-0.30% / K
Temperature Coefficient of $I_{sc}$	0.05% / K

• NOCT: Normal Operation Cell Temperature, measuring conditions: irradiance 800 W/m<sup>2</sup>, AM 1.5, air temperature 20 °C, wind speed 1 m/s

## Mechanical Characteristics

Dimensions (L x W x H)	1640 x 992 x 40 mm (64.57 x 39.05 x 1.57 in)
Weight	19 kg (41.89 lbs)
Front Glass	High transparent solar glass (tempered), 3.2 mm (0.13 in)
Cell	60 monocrystalline solar cells
Back Sheet	Composite film
Frame	Anodized aluminum frame
Junction Box	IP-67 rated with 3 bypass diodes
Connector Type & Cables	TE Connectivity PV4: 1 x 4 mm <sup>2</sup> (0.04 x 0.16 in <sup>2</sup> ), Length: each 1.0 m (39.37 in)

## Operating Conditions

Operating Temperature	-40 ~ +85 °C
Ambient Temperature Range	-40 ~ +45 °C
Max. System Voltage IEC/UL	1000 V / 1000 V
Serial Fuse Rating	15 A
Maximum Surface Load Capacity	Tested up to 5400 Pa according to IEC 61215 (advanced test)

## Warranties and Certifications

Product Warranty	Maximum 12 years for material and workmanship
Performance Guarantee	Guaranteed linear degradation to 80% for 25 years *1
Certifications	According to IEC/EN 61215, IEC/EN 61730 and UL 1703 guidelines *2

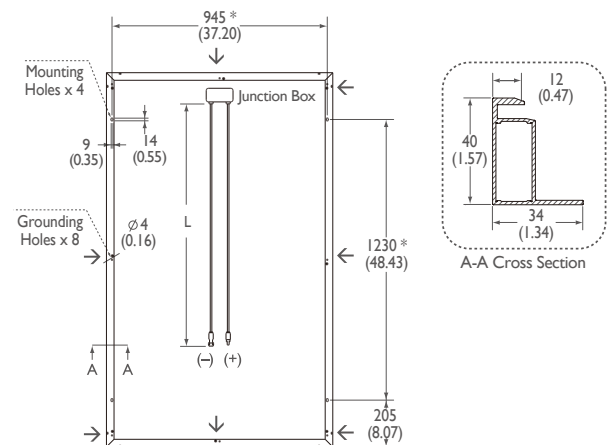
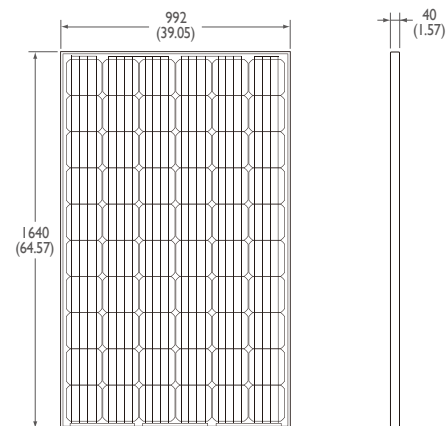
\*1: Please refer to warranty letter for detail

\*2: Please confirm other certifications with official dealers

## Packing Configuration

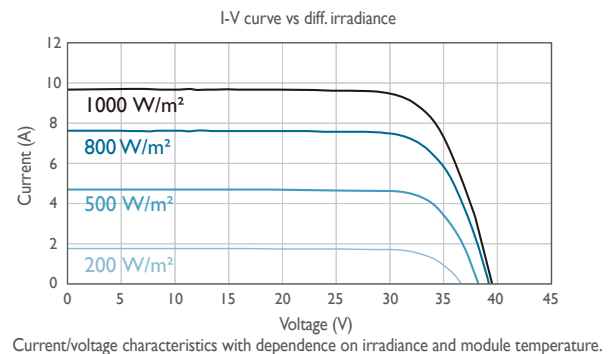
Container	20' GP	40' GP	40' HQ
Pieces per Pallet	26	26	26
Pallets per Container	6	14	28
Pieces per Container	156	364	728

## Dimensions mm (inch)



\* Distance between two Mounting Holes  
 → Grounding Holes

## I-V Curve



### About AU Optronics

AU Optronics (AUO) is a leading global manufacturer of TFT-LCD committed to providing green solutions to its worldwide customers in a manner that is sustainable and friendly to the environment. In addition to its strengths in product and technological innovation, AUO stresses its commitment to going green and to utilizing manufacturing excellence to develop high efficiency solar solutions for residential, commercial, and utility segments.



AU Optronics Corporation

No. 1, Li-Hsin Rd. 2, Hsinchu Science Park, Hsinchu 30078, Taiwan

Tel: +886-3-500-8899 solar.AUO.com

© Copyright May 2016 AU Optronics Corp. All rights reserved. Information may change without notice. This datasheet is printed with Soy Ink.